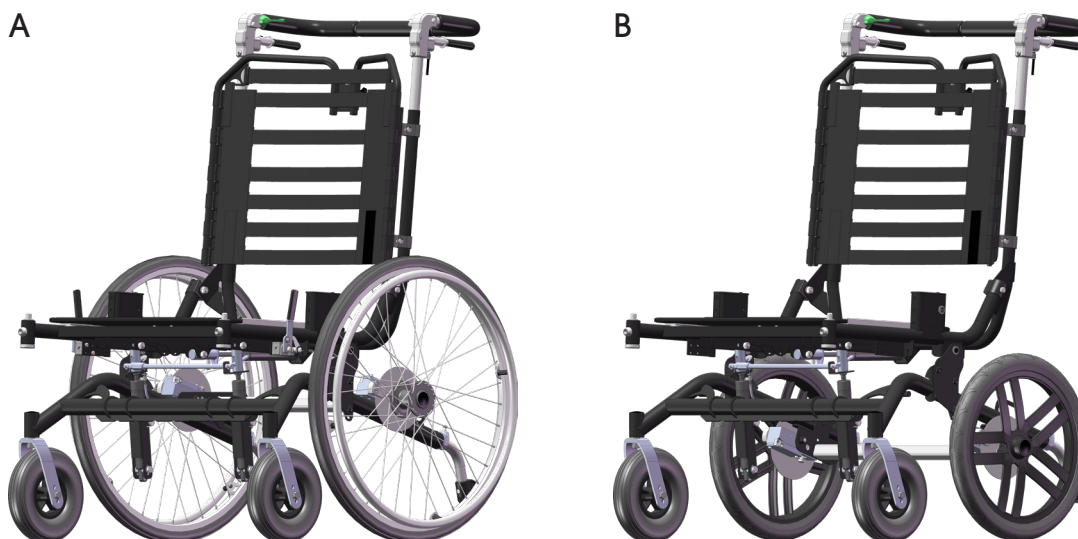


HD Force is available in two models; HD Force 24 with 24" drive wheels (A) and HD Force 16 with 16" drive wheels (B). The seating unit is the same for both models. The difference between the models is the size of the drive wheels and the wheel frame construction.



HD Force 24

HD Force 24 is suited to users who can fully or partially propel the wheelchair themselves using the hand rims on the wheels. Even if lacking the ability to propel the wheelchair independently, the user is given the possibility to turn around without assistance. Due to the larger wheel size the 24 model is also somewhat easier to tilt up when going over obstacles such as thresholds.

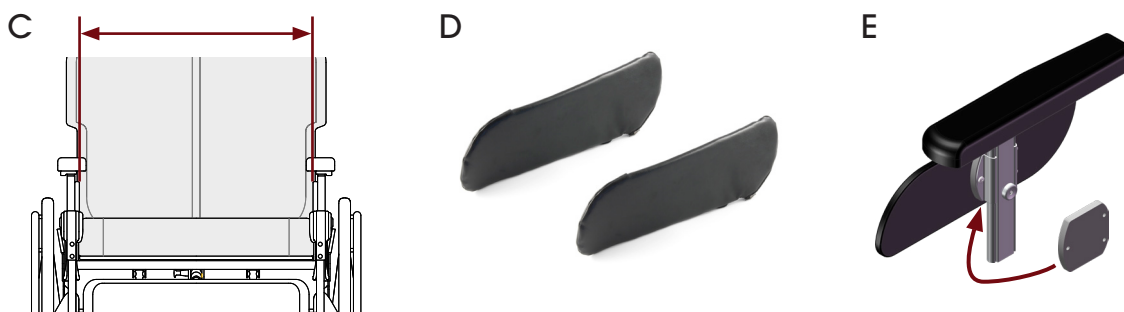
HD Force 16

HD Force 16 is a transport model for users who cannot propel themselves. The 16" wheels allow caregivers to come closer to the user in care situations. Sliding in and out of the wheelchair to the side is also easier.

Seat width

HD Force is available in three fixed seat widths, 54, 58, and 62 cm. Seat width is measured between the side supports of the armrests (C). To further adjust the seat width to suit the user, extra side paddings (D) are available. These attach to the insides of the side supports and reduce the seat width by 2 cm (1 cm per side).

Alternatively, the seat width can be reduced by 2 cm by using side support spacers (E).



Seat depth

Seat depth is measured from the middle of the Flexi back to the front edge of the seat cushion (F).

There are two adjustments that affect seat depth: the position of the seat plate and the adjustment of the Flexi back straps.

The position of the seat plate can be adjusted in a 10 cm range. It is secured by two knobs under the seat (H).

The Flexi back straps are fully slackened before the user sits in the wheelchair for the first time. Each strap is then adjusted with the user in place to provide optimal support for the users back. The difference between the Flexi band straps being completely taut versus their maximum length is approximately 10 cm (F).

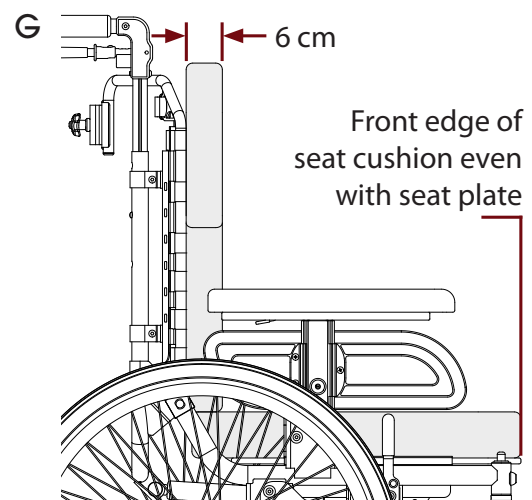
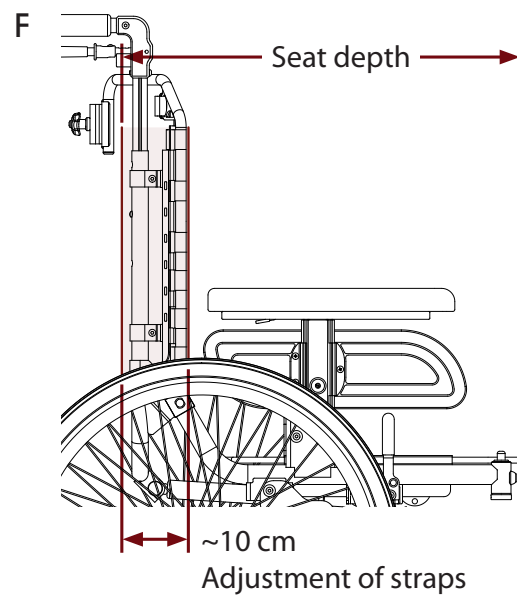
With the original HD Force back cushion the seat depth is reduced 6 cm (G). The original seat cushion does not affect seat depth as it sits even with the front of the seat plate.

Minimum theoretical seat depth, without cushions: 44 cm

- Seat plate fully in
- Flexi back straps completely taut

Maximum seat depth, approximately, without cushions: 64 cm

- Seat plate fully out
- Flexi back straps at maximum length



Keep in mind

- For information on total width see Measurement Table, document number 97719-1.

Article numbers

All article numbers are included in the Prescription Form, document number 97750-1.