

Backrest system

HD Force is equipped with a Flexi backrest system, which provides an adaptable support suitable for most users. The backrest system is available in two lengths, Standard and Long.

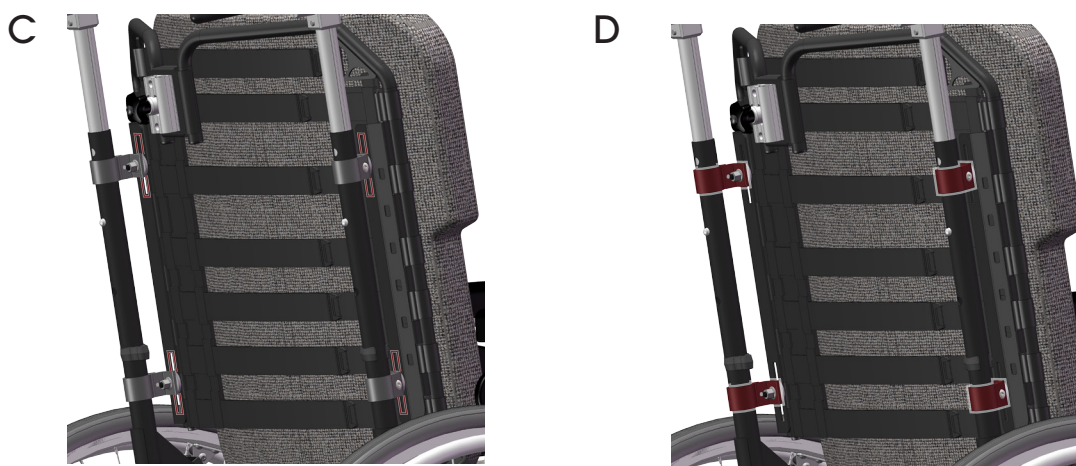


The Flexi-back system provides an adaptable support and is suited to backs without deformities as well as those with, for example, thoracic kyphosis. It consists of a Flexi-frame with straps, 7 for Standard and 8 for Long. The straps make it possible to regulate the pelvic position, provide support for the lower back, and thus achieve a more upright sitting position. The back cushion is attached to the backrest with velcro (B).



Settings

The back support height can be continuously adjusted 5 cm along the slots in the backrest system (C). Another 3 cm can be achieved by moving the four back brackets up the back frame (D). **Note:** When the back brackets are moved up it is no longer possible to set the push bar to the highest position.



Back cushion

HD Force is equipped with a flat back cushion (E). The cushion is wide enough to cover the tubes of the Flexi-back even when the straps are very slack. The back cushion is available in Standard and Long versions to suit the height of the backrest system.

The back cushion has a full covering of stretchy black velour. The cover is removable and washable at 60 C. Covers can also be ordered separately.



Backrest height

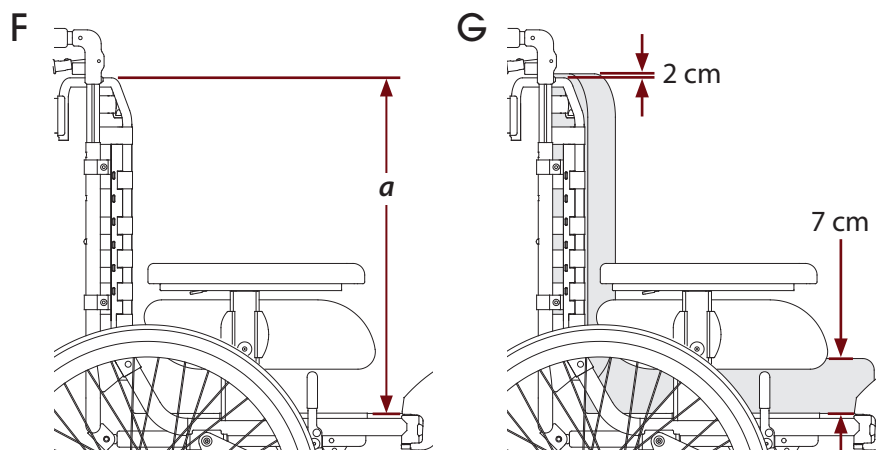
Backrest height, without seat and back cushions, is measured from the seat plate to the top edge of the backrest system (F).

With an original back cushion the backrest height increases by about 2 cm, though the actual supporting surface is unchanged. With an original seat cushion the backrest height is reduced by 7 cm (with no load on the cushion) (G).

Table 1 - Backrest height without cushions [cm]

Backrest	a min	a max
Standard	55	60 / 63*
Long	65	70 / 73*

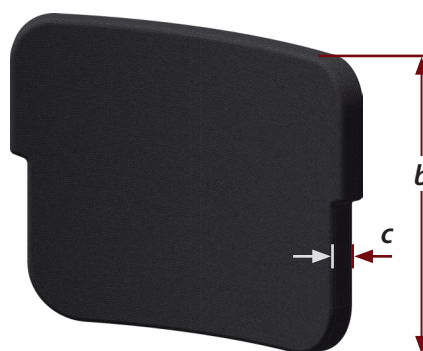
* With back brackets moved up.



Measurements - back cushions

Table 2 - Back cushion measurements [cm]

Model	Width	Height	Thickness
		<i>b</i>	<i>c</i>
Standard	Per seat width	51	7
Long	Per seat width	61	7



Keep in mind

- A backrest that is too high can push against the shoulder blades and hinder arm movement when the user drives independently.

Article Numbers

All article numbers are included in the Prescription Form, document number 97750-1.