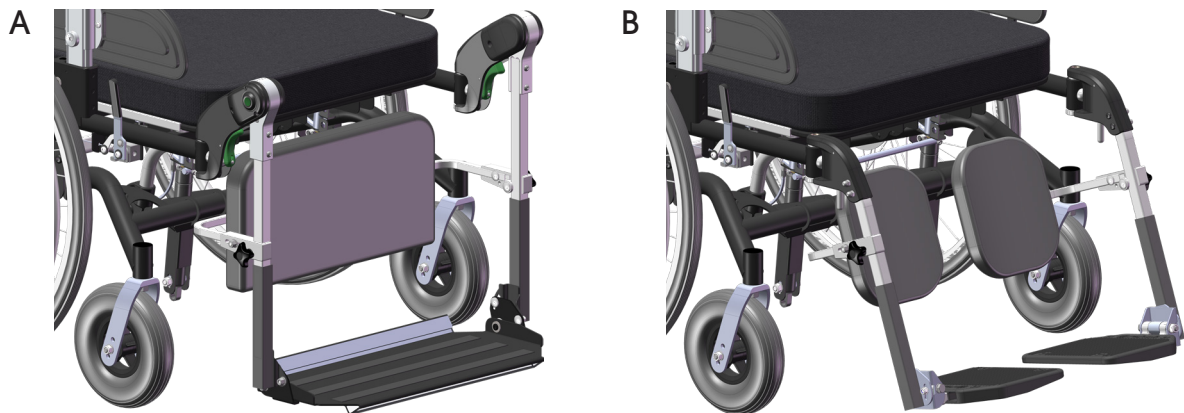


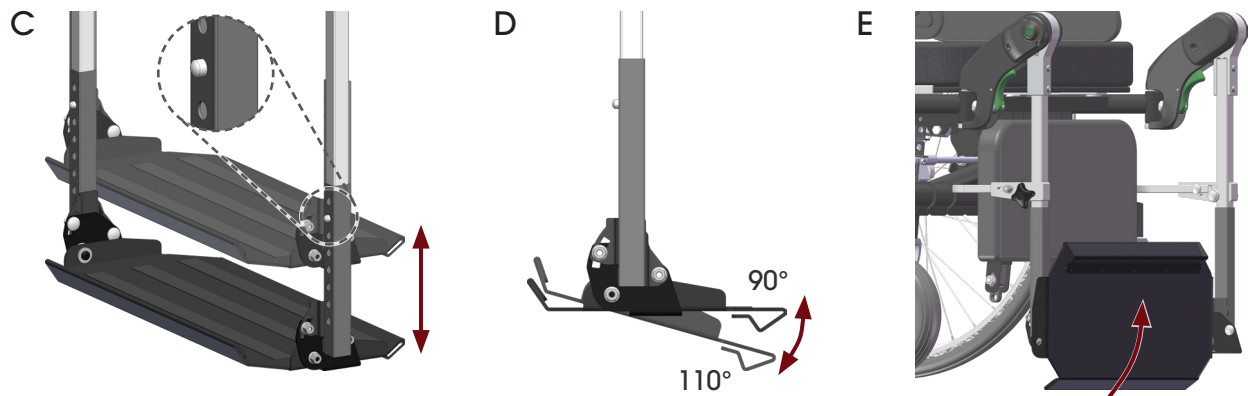
There are two types of footrest: One Piece Footrest (A) and Separate Footrests (B).



## One Piece Footrest

One Piece Footrest gives the user a full supporting surface for the feet. It improves the stability and durability of the leg rests and should be used for users with, for example, increased muscle tonus or spasticity.

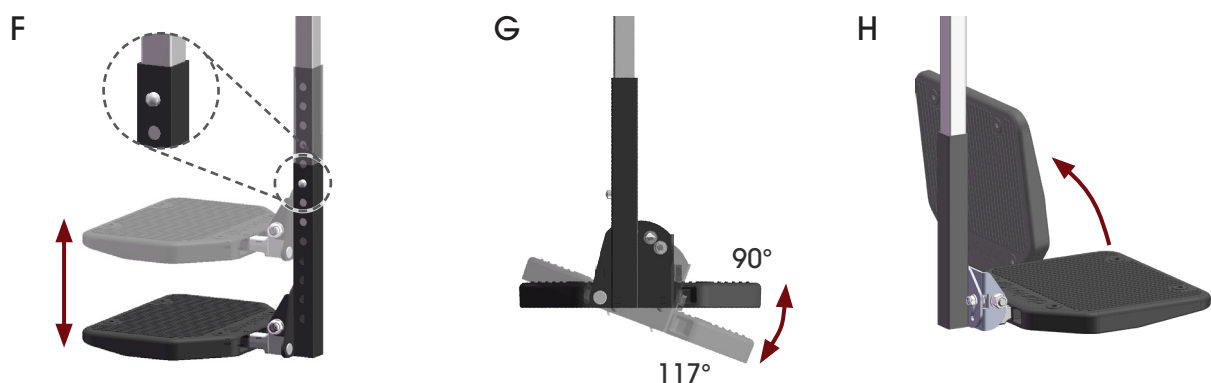
The footrest is raised and lowered incrementally with snap locks on each side (C). The footrest angle is adjusted downward with a tool (D). One Piece Footrest can be folded up against the leg rests for standing transfers (E).



## Separate Footrests

Separate Footrests are used when there is a need for separate settings of leg rest angle and/or footrest height.

Each footrest is raised and lowered incrementally with snap locks (F). The footrest angle is adjusted downward with a tool (G). Separate Footrests can be folded up to the side for standing transfers (H).



### Footrest accessories

Footrest sides (I) are mounted on separate foot plate holders and are used for users who, for example, need protection from involuntary foot and leg movements.

Heel straps (U) are available for Separate footrests. They are used to hold the feet in position on the foot plates.

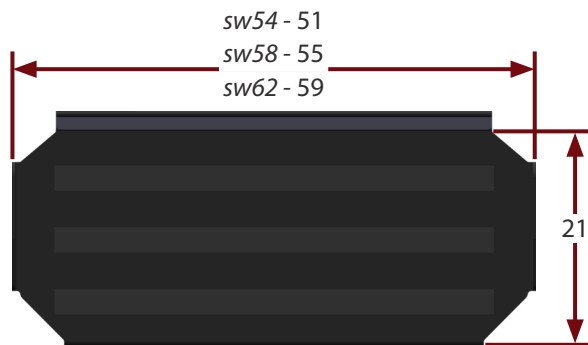
For users who sit in the wheelchair without shoes, soft padding is available for Separate Footrests (K) and also for One Piece Footrest.



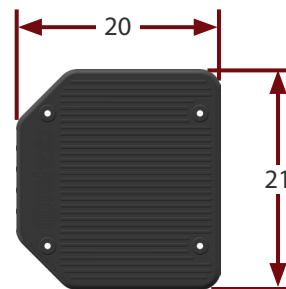
### Measurements

(All dimensions in cm)

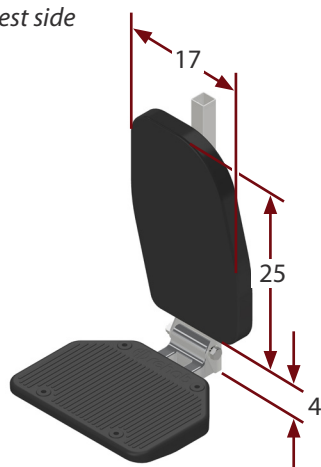
*One Piece Footrest*



*Separate Footrest*



*Footrest side*



### Article Numbers

All article numbers are included in the Prescription Form, document number 97750-1.