

HD Motion is available in two models; HD Motion 22 with 22" drive wheels (A) and HD Motion 16 with 16" drive wheels (B). The seating unit, which consists of the seat frame and the back frame, is the same for both models. The difference between the models is the size of the drive wheels and the wheel frame construction.



### HD Motion 22

HD Motion 22 is for users who can entirely or partially drive the wheelchair independently using the hand rims on the wheels. Even if the ability to drive the wheelchair independently is lacking, the user is given the possibility to turn the wheelchair in place. The larger wheels of the 22 model also make it somewhat easier to tip the wheelchair up when passing over obstacles such as curbs.

### HD Motion 16

HD Motion 16 is a transport model for users who do not drive independently. The 16" wheels also make it possible for caregivers to come close to the user in care contexts. It is also easier to make sliding transfers in and out of the wheelchair.

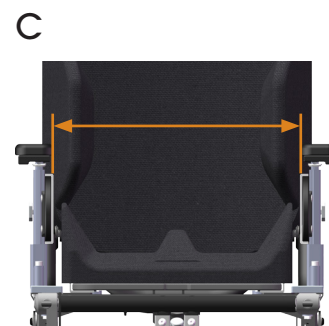
### Seat width

HD Motion is available in two seat widths, 30 and 34 cm. The seat width is adjustable by adjusting the armrest brackets inward or outward in 3 fixed positions.

- HD Motion with seat width 30 can be set to 28, 30, or 32 cm.
- HD Motion with seat width 34 can be set to 32, 34, or 36 cm.

The seat width is measured between the side supports on the armrests (C).

Extra side padding is available to further adapt the seat width to suit the user. These attach to the insides of the side supports and reduce the seat width by 2 cm (1 cm per side).



## Seat depth

HD Motion has two chassis lengths, short and long. The seat depth, without seat and back cushions, is measured from a Solid back to the front edge of the seat plate (D). If the wheelchair is equipped with a Flexi-back the setting of the straps will affect the seat depth.

With an original HD Motion back cushion the seat depth is reduced by 4,5 cm (E). With an original HD Motion seat cushion the seat depth is increased by 2 cm, if the cushion is centred on the seat plate. Note that the seat cushion can be placed 1-2 cm from the normal position to further adjust the seat depth.

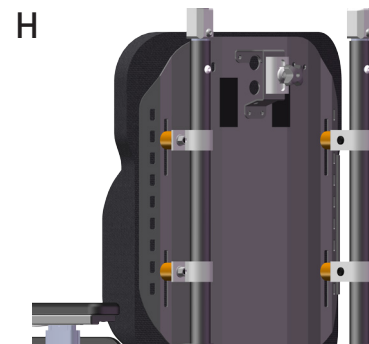
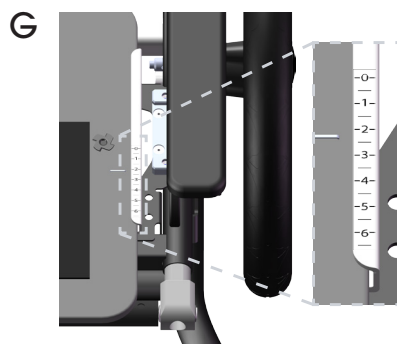
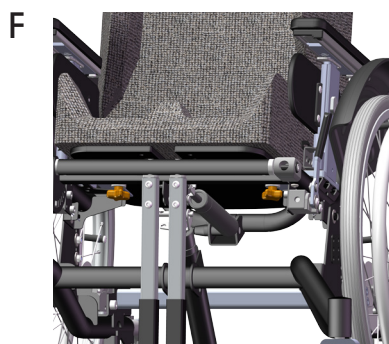
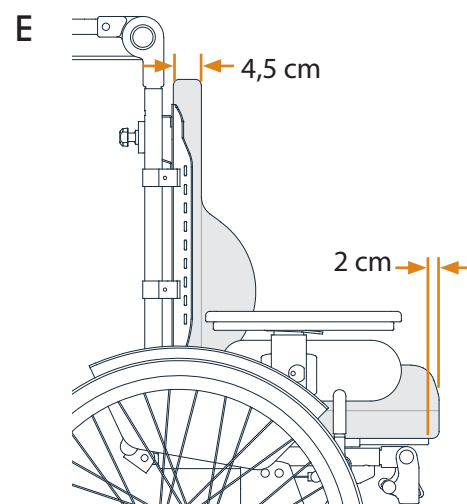
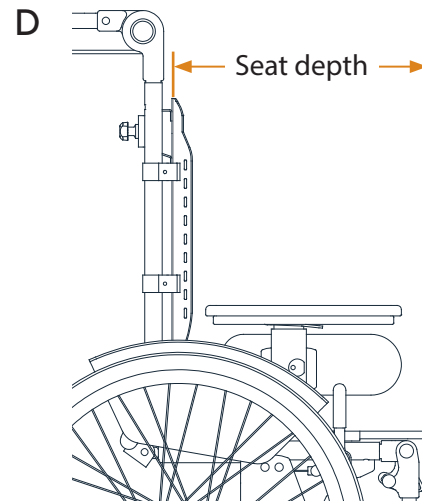
The seat depth can be adjusted continuously 6,5 cm via knobs under the seat (D). A scale indicates the seat plate position (E). When adjusting the seat depth, the leg rest position should also be adjusted to suit. This is done by adjusting the telescoping rods of the leg rest mount in the seat frame. See Info Sheets *Centre Leg Rest*, document number 96901-1, and *Separate Leg Rests*, document number 96902-1.

Back spacers (F) can be suitable in certain cases to reach a shorter seat depth than is otherwise possible. When using back spacers the seat depth is reduced by 2 cm.

See Table 1 for measurements.

Table 1 - Measurements [cm]

HD Motion 16/22, chassis (all seat widths)	Seat depth (w/o cushions)
Short, with back spacers	31,5 - 38
Short	33,5 - 40
Long, with back spacers	40,5 - 47
Long	42,5 - 49



## Keep in mind

- If Flexi-back is used, consider that the setting of the velcro straps affects seat depth.
- For information on total width see *Measurement Table*, document number 96719-1.

## Article Numbers

All article numbers are included in the Ordering Guide, document number 96750-1.