

When positioning a user thoracic support can be used to improve the user's posture and balance, to give stability in sitting, and to prevent the user from leaning to the side.

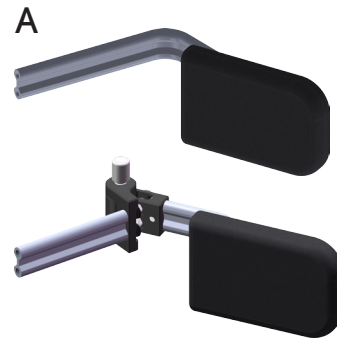
Thoracic supports for HD Motion are available in three versions, Thoracic Support Straight (A), Thoracic Support Form (B), and Thoracic Support Adjustable (C).

Most thoracic supports come in two models, Fixed and Swing-away.

## Thoracic Support Straight

Thoracic Support Standard is used when the user leans to the side. It can also be used to control a flexible spinal scoliosis or to prevent further deterioration.

This thoracic support is available in one size.



## Thoracic Support Form

Thoracic Support Form offers support for users who lean sideways and/or diagonally forward. It can also be used to control a flexible spinal scoliosis or to distribute pressure over a larger area of the trunk. The pad has a gentle curvature which can be further shaped to better suit the user.

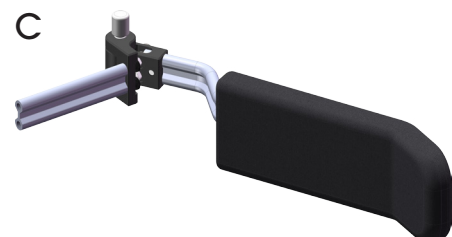
This thoracic support is available in two sizes.



## Thoracic Support Adjustable

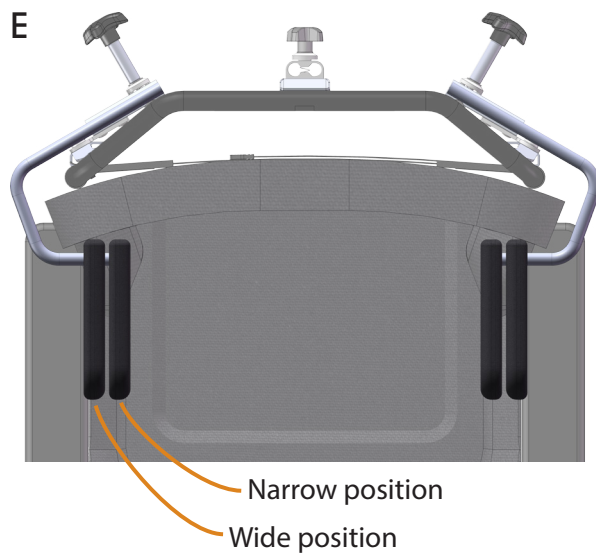
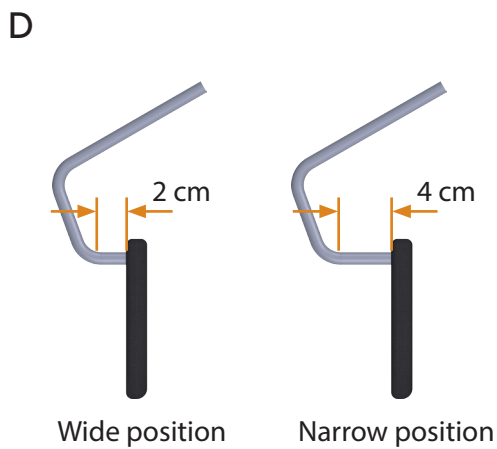
Thoracic Support Adjustable offers support for users who lean sideways and/or diagonally forward. It can also be used to control a flexible spinal scoliosis or to distribute pressure over a larger area of the trunk. The pad can be adjusted to different positions.

This thoracic support is available in one size.



## Wide position and Narrow position

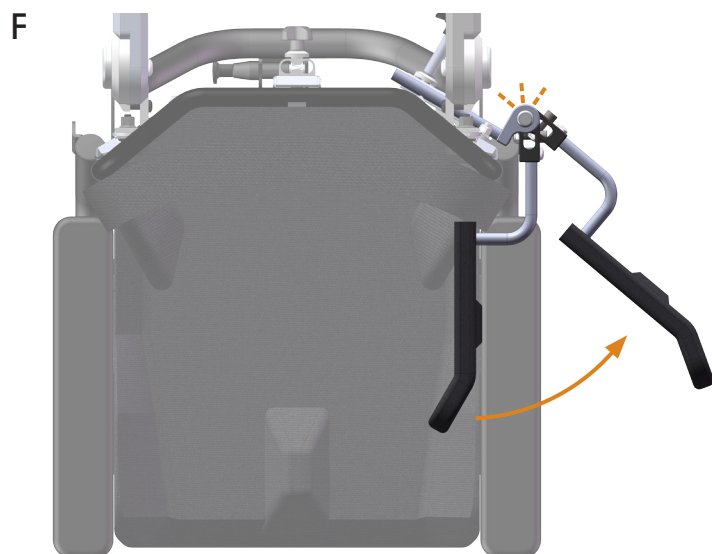
Most thoracic supports are available with two different mounting profiles, Wide position and Narrow position (D and E). See setting dimensions in Table 2.



## Models

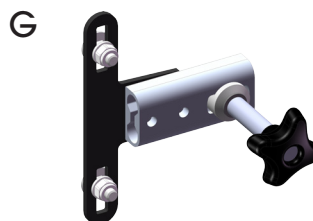
Thoracic Support Straight and Form are available in two models each, Fixed and with Swing-away function.

The Swing-away function allows the thoracic support to be swung out to the side by pushing a button, e.g. when transferring in or out of the wheelchair (F).



## Mounting bracket

The mounting bracket (G) for the thoracic support is ordered separately.



## Settings

### Height

The height of the thoracic support is set by choosing which holes to use when attaching the mounting bracket to the backrest (H). The mount can then be finely adjusted 2 cm in height (I).

### Width

The position of the pad is adjusted in width by setting the depth of the mounting profile in the mounting bracket (J).

### Angle

Thoracic supports with swing mount can be adjusted in angle in towards the user's body (M). This setting locks the swing function at the desired position.

### Pad (Thoracic Support Form)

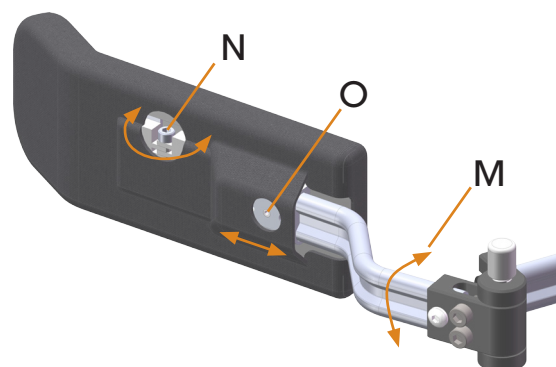
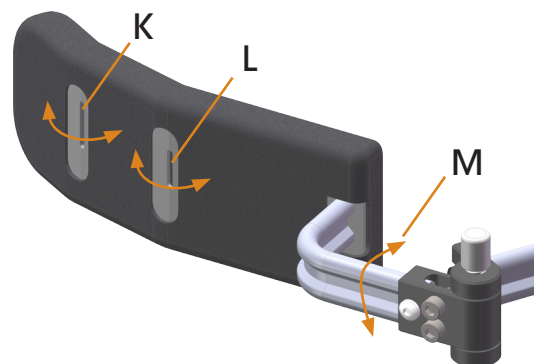
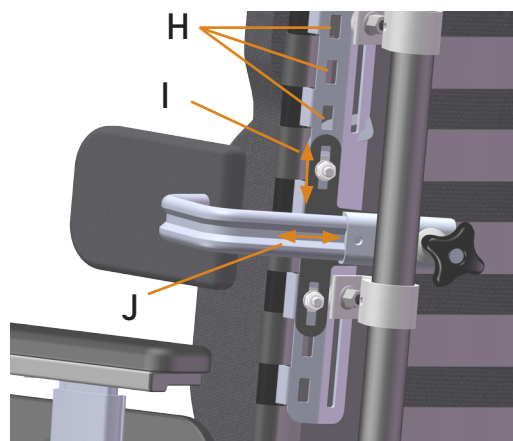
The pad can be shaped/formed (K and L) to suit the user's body.

See Assembly Instructions, doc.nr. 96812-1.

### Pad (Thoracic Support Adjustable)

The pad can be adjusted in depth (O) and can be shaped/formed (N) to suit the user's body.

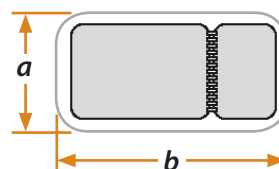
See Assembly Instructions, doc.nr. 96807-1.



## Measurements - Pads

Table 1 - Measurements - Pads [cm]

Model	a height	b depth	thickness
Straight 80	8	13	2,5
Form 60	6	17	2,5
Form 80	8	22	2,5
Adjustable 80	8	22	2,5



## Setting dimensions

Table 2 - Width settings [cm]

Model	Chassis width	Wide position		Narrow position	
		c min	c max	c min	c max
Straight, Fixed	sw 30	22	26	18	22
	sw34	26	30	22	26
Straight, Swing	sw 30	22	28	18	24
	sw 34	26	32	22	28
Form, Fixed	sw 30	22	26	18	22
	sw 34	26	30	22	26
Form, Swing	sw 30	22	28	18	24
	sw 34	26	32	22	28
Adjustable, Swing	sw 30	24	30	-	-
	sw 34	28	34	-	-

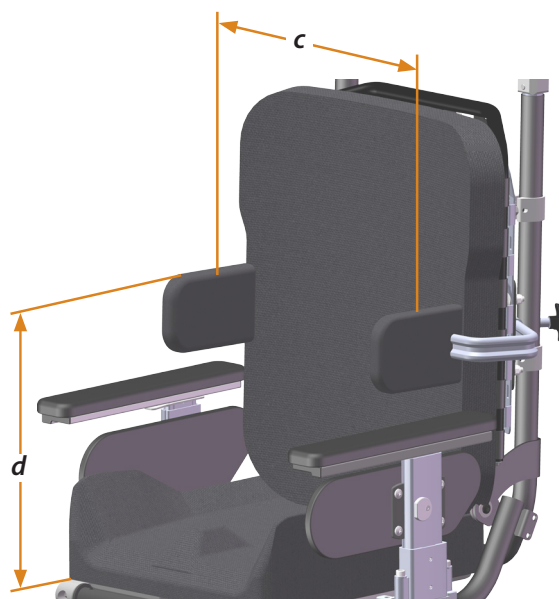


Table 3 - Height settings [cm]

Model	d min * (lowest possible position is limited by armrest height)	d max ** (measured with backrest at highest position)
Form 60	24 / 28	37 / 43 / 49
Form 80, Straight 80, Adjustable 80	26 / 30	38 / 44 / 50

\* Armrest Low / Standard.

\*\* Backrest Extra-short / Short / Long.

## Covers

Thoracic support pads are upholstered with black Trevira. The cover is removable and washable at 60° C. Covers can also be ordered separately.

## Keep in mind

- Note that the use of thoracic supports requires careful individual fitting, to get good support and to avoid pressure that can cause injury.
- Avoid placing the support near the patient's armpit as this area is generally considered to be intimate and sensitive to pressure.

## Article Numbers

All article numbers are included in the Prescription Form, document number 96750-1.