

Intended use

Bag hooks are used for hanging lighter bags and similar items on HD Motion.

Parts included

2 x hook



1 x outer clamp half LH



1 x outer clamp half RH



2 x inner clamp half



2 x screw M5x14

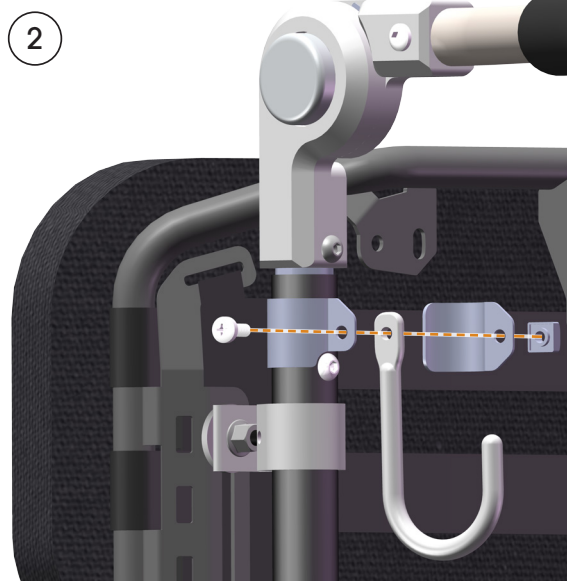
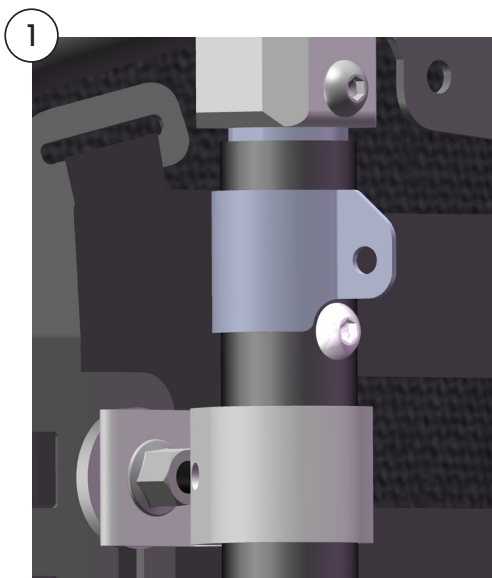


2 x nut M5



Assembly

Note that the pictures show the left hand side.



- ① Each bag hook has a fixed position on the back frame tube. Take care that the outer clamp half nests against the screw in the back frame tube as shown.
- ② Secure the hook with the two clamp halves, the screw, and the nut.
- ③ Repeat these steps on the opposite side.

Use and Care instructions

The maximum load for each hook is 5 kg. The total load when two hooks are used should not exceed 5 kg as the tip risk is significantly increased.

Always replace damaged parts immediately. For more information see *Maintenance Instructions*, document number 96730-1.